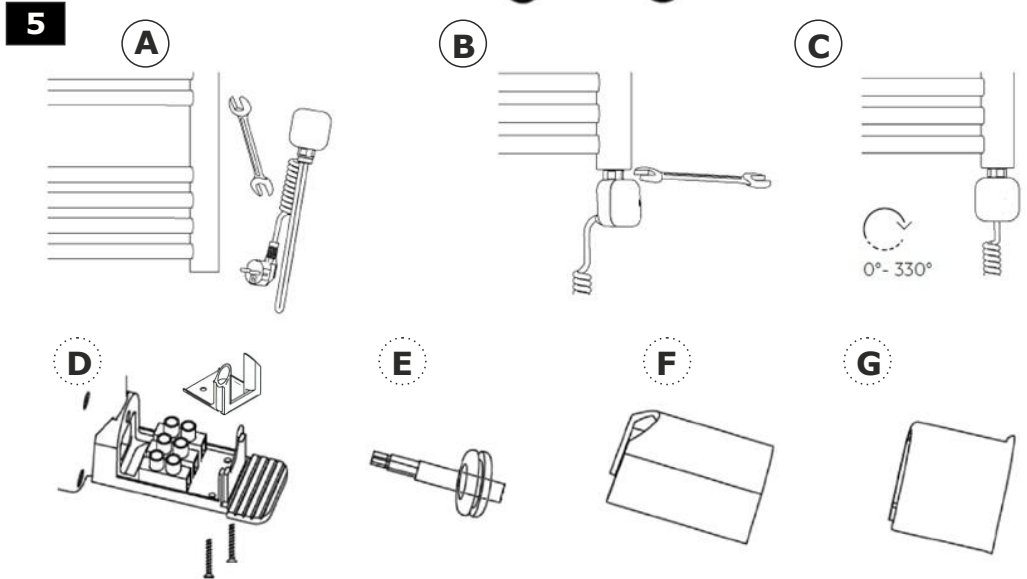
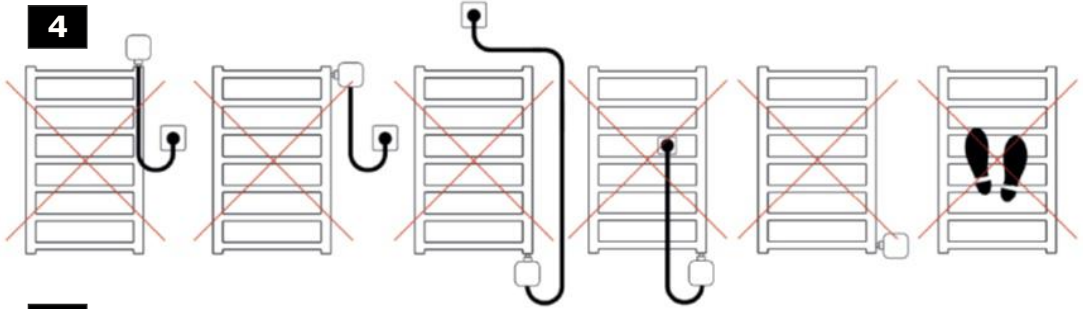
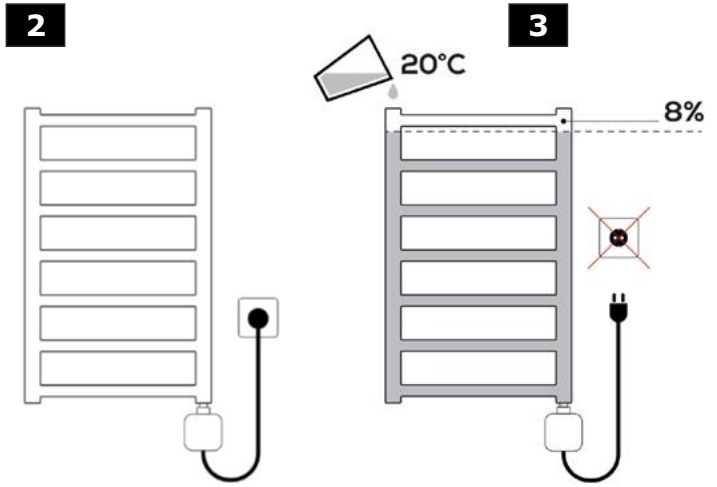
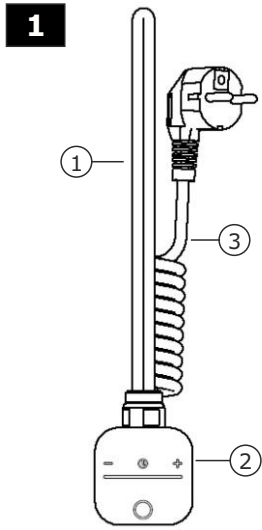
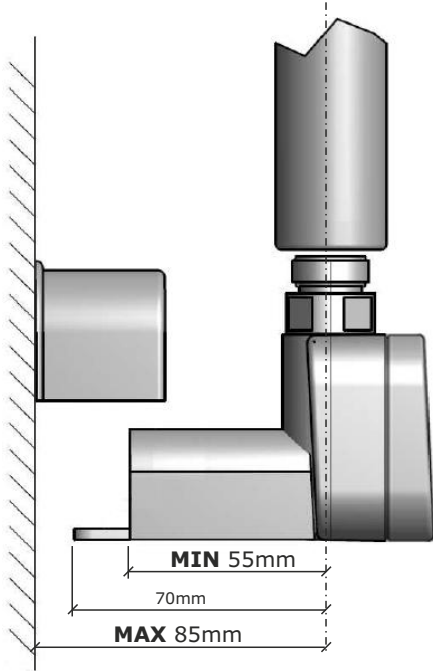
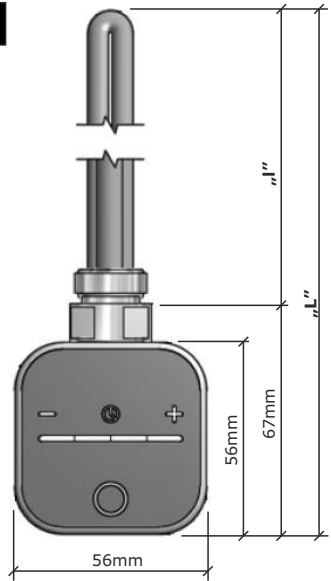


NEX

English	7
Polski	10





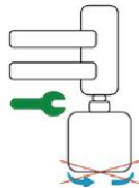
6**7**

POWER [W]	120	200	300	400	500	600	800	1000	1200
„L'” [mm]	310	270	295	330	345	360	470	560	562
„L''” [mm]	377	327	362	397	412	427	537	627	629

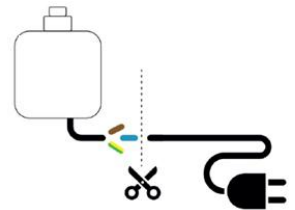
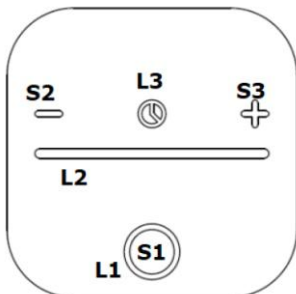
8

!

~ 230V
~~~ 400V~~

**9**

L  
N  
PE

**10**

# User Manual

## Electric heating element with thermostat

### T

### Safety precautions: Installing the electric heating element (Fig. 2, 4)

1. Install the electric heating element according to this User Manual.
2. Have the electric heating element installed only by a qualified technical professional and connected to a professionally wired electrical system which matches the ratings of device. Consult the nameplate or the technical specifications in the User Manual.
3. These safety precautions show the permitted installation location of the electric heating element and the minimum distance from wet areas (washbasins, showers and bath tubs) which must be followed to avoid electrocution.
4. The type of the electrical system connected to the electric heating element must be compliant with local electrical engineering and safety standards and regulations.
5. The power supply line of the electric heating element must feature a 30-milliamp overcurrent circuit breaker (integrated with a ground fault breaker).
6. Do not connect the electric heating element to live voltage through any extension cords or adapters.
7. If the electric heating element is wired to the power supply through a circuit breaker which breaks all poles for a complete isolation from voltage or without a power cord plug removable from a mains outlet, install this circuit breaker in the building's electrical supply line connected to the electric heating element in compliance with applicable electrical engineering and safety standards and regulations.
8. Do not power on the electric heating element when dry (outside a heating radiator primed with a heating medium) for more than 2 seconds.
9. Do not use the electric heating element in a system the heating medium temperature of which can exceed 82°C, otherwise the overtemperature trip may fail.
10. Make sure that the power supply line connected to the electric heating element does not touch any hot surface of the device or its heating radiator.
11. Never attempt to power on the electric heating element with its heating radiator empty!
12. The maximum operating pressure of the heater radiator is 10 Atm.
13. The power output of the electric heating element must be equal to or less than the power output of its heating radiator operated at 75/65/20°C.
14. Always isolate the electric heating element from live voltage before installing or removing it.
15. This electric heating element is intended for domestic non-commercial use only.

### Safety precautions: Operating the electric heating element

1. Use this electric heating element only as intended by the manufacturer.
2. This electric heating element is not a toy. Keep it out of the reach of children.
3. Frequently inspect the electric heating element to assure its continued safe use.
4. If the permanent power cord is damaged, do not use the electric heating element. Isolate it from the supply voltage. Have the damaged power cord replaced by the manufacturer or a qualified service professional to avoid hazards to health and life.
5. The manufacturer shall not be liable for any consequences of unauthorized tampering with the microchip controller internals or any unauthorized modification of the design of the electric heating element.
6. Protect the electric heating element controller from flooding.
7. This device can be operated by children at least 8 years old, the physically and/or mentally challenged, and people inexperienced in and/or unfamiliar with this product type only when supervised and/or instructed by able and responsible adults to make the safe use and potential hazards of operation clearly understood. Do not let children play with the device. Do not allow children to clean or maintain the electric heating element unsupervised.
8. Clean the device when isolated from live voltage.

9. The electric heating element and its heating radiator can become hot to touch when in use: hazard of burns!

### Security requirements - electric radiator/towel warmer (Fig. 2, 3, 8, 9)

Safe installation and operating procedures: Informative

1. Use the device as intended by the manufacturer.
2. The electric radiator is not a toy. Keep it out of the reach of children.
3. Install the electric radiator on a wall according to the instructions from its manufacturer.
4. To maximize safety to small children, install the electric radiator with the bottom edge at least 60cm above the floor.
5. The electric heater can become very hot: hazard of burns! Extreme caution is advised when operating the electric radiator in presence of children and the physically and/or mentally challenged.
6. When drying towels or clothes, make sure that the laundering products and the textiles can be exposed to drying at high temperatures.
7. Do not connect the device to live voltage through any extension cords or adapters.
8. Have the equipment installed by a qualified professional and in compliance with applicable safety standards and regulations. All electrical power systems the equipment is connected to must meet the local engineering and safety standards and regulation.
9. The power supply line of the device must feature a 30-milliamp overcurrent circuit breaker (integrated with a ground fault breaker).
10. If the device is wired to the power supply through a circuit breaker which breaks all poles for a complete isolation from voltage or without a power cord plug removable from a mains outlet, install this circuit breaker in the building's electrical supply line connected to the device in compliance with applicable electrical engineering and safety standards and regulations.

### Intended use (Fig. 1, 2, 6, 7)

The electric heating element is an electric device intended solely for installation in radiators (autonomous or connected to the central heating system) used as space heaters, or towel dryers. The correct chosen electric heating element can be used to heat the room and to dry the textiles/ towels by the radiator filled by heating agent.

The electric heating element is not equipped in temperature sensor.

### Technical specifications

Type:

**NEX1.0.A - straight cable with the plug**  
**NEX1.0.B - spiral cable with the plug**  
**NEX1.0.C - masking cable**

Power supply ratings:

**~230VAC / 50Hz**

Insulation class:

**I**

Power rating:

**120, 200, 300, 400, 500, 600, 800, 1000, 1200W**

Enclosure IP rating:

**IPx5**

Electrical supply connection type: **Y** (The power cord is non-user replaceable and shall only be serviced by the manufacturer.)

**Permanent wiring to the electrical supply system**

Threaded connection port:

**1/2"**

### Design overview (Fig. 1)

- |                                                 |                                                   |
|-------------------------------------------------|---------------------------------------------------|
| 1. Heating element                              | S3 - increase temperature, turning on the timer   |
| 2. Controller housing                           | L1 - operating conditions                         |
| 3. Supplying cable                              | L2 - temperature and time setting - 4 or 8 levels |
| S1 - ON/OFF                                     | L3 - switched on timer                            |
| S2 - decrease temperature, turning on the timer |                                                   |

### Installation instructions (Fig. 2, 3, 4, 5, 6, 7, 8, 9)

Before attempting the installation, make sure that the electric heating element is isolated from the mains. Do not power on the electric heating element when dry: hazard of burns and failure of the overtemperature trip! Make sure that the heating radiator has water (or another liquid heating medium, as applicable), before powering on the electric heating element.

- Thread in the electric heating element at the lower part of the heating radiator or a connection valve or tee (the two latter parts must be purchased separately, if to be used). Do not hold the electric heating element by its enclosure when threading it in.
- Tighten the electric heating element with a 22mm flat wrench to a torque sufficient to secure a tight connection.
- Rotate the electric heating element housing to have the controller front panel readily visible to the user. The rotation range is 330°. The rotation range is limited with mechanical stops. Try rotating in either direction to orient the controller front panel as desired.
- Fill the heating radiator with the suitable heating medium to the maximum level specified by the manufacturer. A standalone electric radiator requires an overhead of air above the heating medium. A central heating radiator requires one of its valves open. In either case, this prevents internal overpressure due to the natural thermal expansion of the heating medium while in operation.  
Do not fill the heating radiator completely. Too much of the heating medium, coupled with its confinement in the radiator and high operating temperatures, may exceed the maximum safe operating pressure specified by the manufacturer of the radiator. This is a hazard of injury, death or damage to property. The maximum operating pressure of the electric heater is 10Bar.
- Do not use the electric heating element with any heating medium which may exceed 82°C: hazard of overtemperature trip failure. This electric heating element features a non-resettable overtemperature trip which is triggered when the overtemperature sensor installed in a tube near the electric heating element core element exceeds 82°C. If the overtemperature trip is triggered, the controller will continue to operate, while the heating function will be turned off. A qualified technical service authorized by the manufacturer can reset the electric heating element for you.
- With the connection sealed and tight, connect the electric heating element to the mains. Verify that the voltage rating of the building electrical system matches the nameplate data of the device. Connect the electric heating element to a mains outlet with a PE (protective earth terminal) only. Make sure that the electric heating element is not defective: inspect the wiring insulation, the power cord plug, etc.
- If a permanent wiring connection is made, follow this wiring assignment:
  - Brown cord wire: phase (L)
  - Blue cord wire: neutral (N)
  - Yellow/green cord wire: protective earth (PE)
- If installed in a central heating radiator, the radiator must have stop valves on the supply and return sides to facilitate removal.

## Functionality (Fig. 1, 10)

- The time can be regulated with 1 hour intervals. The exception is regulating the timer delayed start which can be set with 2 hours intervals.
- The temperature can be regulated with 10°C intervals.
- Dryer. The temperature of the heating agent is adjusted with "+" and "-" switches: 4 levels from 30°C to 60°C.
- The dryer mode function with the possibility of setting the operating time:
  - timer „START/STOP“ – after max 4 hours (1, 2, 3 or 4 hours) the electric heating element switches off,
  - timer „TURBO“ – after max 4 hours (1, 2, 3 or 4 hours) the electric heating element returns to the previous setting,
  - timer „DELAYED START“ – switching the device on with the delay max. 8 hours (2, 4, 6 or 8 hours) – operating time max. 4 hours (1, 2, 3 or 4 hours).
- Intelligent visualisation of operating modes: heating, setting, timer, failure – colourful LED technology.
- The controller may be rotated by 330°.
- Intelligent operation control – microprocessor-based control.
- Protection against agent freezing – Antifreeze function.
- Two-level thermal protection.
  - the regulation controller prevents the temperature from exceeding 60°C.
  - in case of an uncontrolled temperature increase, the thermal fuse cuts out the power if any damage of the regulator or temperature sensor occurs.
- The third level of protection against working when "dry".
- By usage of the advance electronic Ultra-Low-Power the device provides the low power consumption at the "operating" and at the "stand-by" mode.

## Operation (Figures 1, 10)

- Press the "ON/OFF" button to switch the electric heating element on / off.
- Press the "+" button to set the agent temperature in the radiator.
- Press the "-" button to set the agent temperature in the radiator.
- During setting the temperature current status of the device is indicated by LED (see point 10 below).
- Press and hold the "+" button for about 3 seconds to switch timer TURBO on. The electric heating element begins to heat the heating agent to the set temperature and keeps it for max. 4 hours (1, 2, 3 or 4 hours). After this time the controller returns to the temperature before switching the timer on.
- Press and hold the "-" button for about 3 seconds to switch timer START/STOP on. The electric heating element begins to heat the heating agent to the set temperature and keeps it for max. 4 hours (1, 2, 3 or 4 hours). After this time the controller switches off the electric heating element.
- Press and hold the "+" and "-" buttons for about 3 seconds to switch timer DELAYED START on. The electric heating element switch on with the delay (2, 4, 6 or 8 hours), then begins to heat the heating agent to the set temperature and keeps it for max. 4 hours (1, 2, 3 or 4 hours). After this time the controller switches off the electric heating element.
- Switching the timer off – to reset the timer turn the device off and turn it on by pressing S1 button. The unexpected lack of electricity do not reset the timer – after the electricity back the device finished timer which was set.
- ANTIFREEZE function. When the device is connect to electricity, but thermostat is turn off and the temperature around temperature sensor drops down below 6°C the antifreeze function turn on – the device start heating until the temperature exceed 40°C. This operation is cycled until the temperature will be dropping below 6°C.  
Do not disconnect the plug from the socket to ANTIFREEZE function works properly.  
The electronics of Ultra-Low-Power Technology applied in HeatQ products provides the low power consumption at the „stand-by“ mode.
- Visualisation of operating modes

| LED indication              | Operational status of heating element                                                                                                                                                           |
|-----------------------------|-------------------------------------------------------------------------------------------------------------------------------------------------------------------------------------------------|
| L1 – red                    | Alert                                                                                                                                                                                           |
| L1 - purple                 | Correct operation in a room heating mode.                                                                                                                                                       |
| L1 - blinking purple        | ANTIFREEZE function.                                                                                                                                                                            |
| L2 – brightening up blue    | The electric heating element heats up to the set level. The continuous light of L2 means reaching subsequent temperature levels. When the required temperature is achieved, L2 light constanty. |
| L2 – fading blue            | The electric heating element cools down, which means that the setting temperature is lower than the current one.                                                                                |
| L1 – red / blue alternately | The electric heating element cools down, which means that the setting temperature is lower than the current one.                                                                                |
| L3 – continuous blue        | Timer „TURBO“ – the dryer function is on.                                                                                                                                                       |
| L3 – blinking blue          | Timer „START/STOP“ – the dryer function is on.                                                                                                                                                  |
| L3 – pulsing blue           | Timer „DELAYED START“ – the dryer function is on.                                                                                                                                               |

11. When power supply is recovered after its previous disappearance (power cut or unplugging) with the controller on, the electric heating element begins to operate in the mode before the voltage disappearance.
12. The electric heating element is adjusted to operate with a standard timer.

### **Disassembly of the electric heating element**

1. Switch the electric heating element off by pressing the switch and unplug it.
2. In case of the electric heating element with an electric radiator disassemble it together with the radiator and turn the electric heating element upside down. There is no need to remove the heating agent.
3. If the radiator is connected to the central heating close both supply and return valves. Remove the heating agent from the radiator.
4. Remove the electric heating element from the radiator core with the 22 mm wrench.

CAUTION! The electric heating element must not be held by the cover while assembling/ disassembling.

### **Maintenance**

CAUTION! While cleaning the electric heating element with detergents or liquids, unplug the electric heating element. Prevent the controller from getting wet.

Use soft cloths or sponges for cleaning the surface. Do not use any aggressive or abrasive cleaning agents in order not to damage the decorative coat:

- the painted surface should be wiped with warm water with delicate washing substances,
- chrome-plated surfaces should be cleaned with special cleaning agents intended for cleaning chrome-plated surfaces.

### **End of life disposal**

After termination of the use the electric heating element must not be disposed as a municipal waste. The device should be taken to the point of collection and recycling of electric and electronic waste. Any information about the proper collection and recycling point may be obtained in the store or from the manufacturer.

**By ensuring wastes are disposed properly you will help to prevent potential negative consequences for the environment.**

### **Warranty Terms & Conditions**

1. This Warranty is granted to the product manufactured by HeatQ Technology Sp. z o.o. and specified in this User Manual.
2. The Warranty period is 24 months from the date of original purchase and for a maximum of 36 months from the date of production. You can identify the date of production by consulting the serial number on the back of the enclosure.
3. If you want to claim the product on warranty, submit the claim with the proof of purchase. Otherwise the manufacturer may reject your claim.
4. When purchasing the product, the buyer shall confirm it is free of defects. If no defect is claimed, including defects of the decorative finish of the housing, the product is deemed to be sold without defects.
5. The heating system this product is to be used with shall feature stop valves at the heating radiator to facilitate its removal or removal of the electric heater without servicing the entire central heating system and its full heating medium charge. The manufacturer shall not be liable for any consequences, including any costs, caused by an improper design and/or execution of the heating system.
6. This Warranty does not cover any defects caused by improper installation or removal or misuse of the product. Read and understand this User Manual, which is an essential part of this Warranty, before using the product.
7. Having filed a warranty claim, the buyer shall deliver the claimed product to the manufacturer's headquarters to have it inspected and repaired, if the claim is not rejected. The manufacturer has 14 working days from the date of delivery of the product for an expert opinion and repair of the defective product.
8. If the claimed defect(s) cannot be repaired, the manufacturer will replace the product with a new one and with equivalent specifications.

# Instrukcja obsługi

## Grzałka elektryczna ze sterownikiem elektronicznym

### Wymagania bezpieczeństwa – instalacja grzałki (Rysunek 2, 4)

1. Grzałkę należy zamontować zgodnie z wytycznymi producenta zawartymi w niniejszej instrukcji.
2. Montaż grzałki może wykonać wyłącznie instalator z właściwymi uprawnieniami, podłączając urządzenie tylko do prawidłowo wykonanej instalacji elektrycznej – sprawdź dane znamionowe urządzenia.
3. Wymogi bezpieczeństwa zawarte w normie PN-EN 60529:2003 określają dopuszczalną lokalizację oraz odległość od miejsc mokrych – w tym od umywalki, prysznica, wanny – w celu ochrony przed ryzykiem porażenia prądem elektrycznym.
4. Każdy rodzaj instalacji, do której podłączone jest urządzenie, powinien być zgodny z właściwymi przepisami obowiązującymi na danym obszarze.
5. Należy zapewnić, aby obwód w instalacji elektrycznej zasilający grzałkę, był wyposażony w wyłącznik nadmiarowo-prądowy oraz różnicowo-prądowy o czułości 30mA.
6. Do zasilania grzałki nie wolno używać żadnych adapterów oraz przedłużaczy.
7. Jeżeli urządzenie nie jest wyposażone w środki umożliwiające odłączenie od źródła zasilania, mające przerwy stykowe na wszystkich biegunach, zapewniające pełne odłączenie lub wtyczkę na przewodzie zasilającym, należy zainstalować taki wyłącznik w stałej instalacji elektrycznej zgodnie z przepisami dotyczącymi takiej instalacji.
8. Nie uruchamiamy grzałki poza grzejnikiem napełnionym czynnikiem – „na sucho” – na czas dłuższy niż 2 sekundy.
9. Nie stosuj grzałki w instalacji, gdzie temperatura medium grzewczego może przekroczyć 82°C – przekroczenie tej temperatury spowoduje uszkodzenie zabezpieczenia termicznego.
10. Zapewnij, aby po instalacji grzałki jej przewód zasilający nie dotykał gorących części grzejnika.
11. Bezwzględnie nie wolno włączać grzałki w pustym grzejniku!
12. Ciśnienie w grzejniku z zainstalowaną grzałką nie może przekroczyć 10 atm.
13. Moc grzałki nie może przekraczać mocy grzejnika pracującego przy parametrach 75/65/20°C.
14. W trakcie montażu lub demontażu urządzenie nie może znajdować się pod napięciem – należy je odłączyć od zasilania.
15. Urządzenie przeznaczone jest do użytku domowego.

### Wymagania bezpieczeństwa – użytkowanie grzałki

1. Z produktu należy korzystać wyłącznie w celu, do jakiego został przewidziany przez producenta.
2. Urządzenie nie jest zabawką.
3. Przeprowadzaj regularną inspekcję urządzenia w celu zapewnienia jego bezpiecznego użytkowania.
4. Jeżeli przewód zasilający nieodłączalny ulegnie uszkodzeniu, urządzenie nie nadaje się do użytku. Odłącz urządzenie od zasilania. Uszkodzony przewód może zostać wymieniony u producenta lub u pracownika zakładu serwisowego w celu uniknięcia zagrożenia bezpieczeństwa.
5. Producent nie bierze odpowiedzialności za skutki powstałe w wyniku samowolnych ingerencji we wnętrze sterownika oraz zmiany konstrukcyjne dokonane w grzałce przez osoby niepowołane.
6. Nie dopuszczaj do zalania sterownika grzałki.
7. Niniejszy sprzęt może być użytkowany przez dzieci w wieku co najmniej 8 lat i przez osoby o obniżonych możliwościach fizycznych, umysłowych i osoby o braku doświadczenia i znajomości sprzętu, jeżeli zapewniony zostanie nadzór lub instruktaż odnośnie do użytkowania sprzętu w bezpieczny sposób, tak aby związane z tym zagrożenie było zrozumiałe. Dzieci nie powinny bawić się sprzętem. Dzieci bez nadzoru nie powinny wykonywać czyszczenia i konserwacji sprzętu.

8. Czyszczenie urządzenia wykonuj tylko przy odłączonym zasilaniu.
9. Grzałka z grzejnikiem mogą nagrzewać się do wysokich temperatur – zachowaj ostrożność przy kontakcie z urządzeniami.

### Wymogi bezpieczeństwa – grzejnik elektryczny, suszarka (Rysunek 2, 3, 8, 9)

Zasady bezpiecznego montażu i użytkowania – materiał informacyjny

1. Stosuj urządzenie zgodnie z jego przeznaczeniem.
2. Grzejnik elektryczny nie jest zabawką.
3. Grzejnik musi zostać zainstalowany na ścianie zgodnie z wytycznymi jego producenta.
4. W celu zwiększenia bezpieczeństwa dla małych dzieci zamontuj grzejnik tak, aby jego najniższa część znajdowała się na wysokości co najmniej 60cm od podłogi.
5. Grzejnik może być bardzo gorący i może powodować oparzenia. Zachowaj szczególną ostrożność w przypadku obecności dzieci lub osób niepełnosprawnych.
6. W przypadku suszenia ręczników i/lub ubrań upewnij się, że użyte środki piorące oraz suszone rzeczy nie posiadają przeciwwskazań do suszenia w wysokich temperaturach.
7. Do elektrycznego zasilania grzałki nie wolno używać żadnych adapterów oraz przedłużaczy.
8. Instalacja urządzenia powinna być wykonana przez wykwalifikowanego instalatora zgodnie z obowiązującymi regulacjami dotyczącymi bezpieczeństwa, a wszystkie instalacje, do których podłączane jest urządzenie, muszą być zgodne z właściwymi przepisami obowiązującymi na danym obszarze.
9. Należy zapewnić, aby obwód w instalacji elektrycznej zasilający grzałkę, był wyposażony w wyłącznik nadmiarowo-prądowy oraz różnicowo-prądowy o czułości 30mA.
10. Jeżeli urządzenie nie jest wyposażone w środki umożliwiające odłączenie od źródła zasilania, mające przerwy stykowe na wszystkich biegunach, zapewniające pełne odłączenie lub wtyczkę na przewodzie zasilającym, należy zainstalować taki wyłącznik w stałej instalacji elektrycznej zgodnie z przepisami dotyczącymi takiej instalacji.

### Przeznaczenie (Rysunek 1, 6, 7)

Odpowiednio dobrana grzałka jest elektrycznym urządzeniem grzewczym i stanowi jedynie podzespoł ogrzewacza. Grzałkę należy zamontować w ogrzewaczu (samodzielny grzejnik wodny lub podłączony do instalacji c.o.) w celu uzyskania suszarki do ręczników i/lub ubrań.

Grzałka nie jest wyposażona w regulator temperatury pomieszczenia.

### Dane techniczne

|                         |                                                                                                                                     |
|-------------------------|-------------------------------------------------------------------------------------------------------------------------------------|
| Typ:                    | NEX1.0.A – kabel prosty z wtyczką<br>NEX1.0.B – kabel spiralny z wtyczką<br>NEX1.0.C – maskownica kabla                             |
| Zasilanie:              | ~230VAC, 50Hz                                                                                                                       |
| Klasa izolacji:         | I                                                                                                                                   |
| Moc:                    | 120, 200, 300, 400, 500, 800, 1000, 1200W                                                                                           |
| Klasa izolacji:         | Ipx5                                                                                                                                |
| Stożek ochrony obudowy: | Y (przewód zasilający jest niewymienialny przez użytkownika – przewód zasilający może zostać wymieniony wyłącznie przez producenta) |
| Przylącze gwintowe:     | Urządzenie podłączone na stałe do instalacji 1/2"                                                                                   |

### Budowa (Rysunek 1)

- |                             |                                                      |
|-----------------------------|------------------------------------------------------|
| 1. Element grzejny          | S3 - zwiększenie temperatury uruchomienie timera     |
| 2. Obudowa sterownika       | L1 - stan pracy                                      |
| 3. Przewód zasilający       | L2 - ustawiona temperatura i czas - 4 lub 8 poziomów |
| S1 - włącz/ wyłącz          | L3 - włączył timer                                   |
| S2 - obniżenie temperatury. |                                                      |
| uruchomienie timera         |                                                      |

### Montaż (Rysunek 2, 3, 4, 5, 6, 7, 8, 9)

Przed montażem upewnij się, że grzałka nie jest podłączona do sieci. Grzałki nie wolno włączać „na sucho” – grozi to poparzeniem oraz uszkodzeniem zabezpieczenia termicznego. Sprawdź czy w grzejniku jest woda (lub inny czynnik grzewczy) zanim włączysz grzałkę.

- Do dolnego otworu grzejnika lub poprzez wkręcony wcześniej zawór / trójnik wkręć grzałkę. Nie wolno wkręcać grzałki, trzymając ją za obudowę.
- Dokręć grzałkę kluczem płaskim 22mm z odpowiednią siłą tak, aby uzyskać odpowiednią szczelność.
- Obróć obudowę grzałki w odpowiednim kierunku, aby ustawić odpowiednią dla użytkownika pozycję frontu sterownika – posiada on możliwość obrotu o kąt 330°. Zakres obrotu ograniczony jest wyczuwalną blokadą – jeśli nie dałeś rady ustawić sterownika obracając go w jedną stronę, spróbuj w przeciwnym kierunku.
- Uzupełnij grzejnik czynnikiem grzewczym do odpowiedniego poziomu podanego przez producenta grzejnika. W grzejniku elektrycznym zapewnij poduszkę powietrzną, a w grzejniku podłączonym do c.o. pozostaw jeden zawór otwarty, aby nie dopuścić do wzrostu ciśnienia na skutek rozszerzalności cieplnej czynnika.  
Pamiętaj, aby grzejnika nie zalewać w 100% jego pojemności. Zbyt duża ilość czynnika i wysoka jego temperatura w zamkniętym grzejniku może spowodować wzrost ciśnienia powyżej dopuszczalnych wartości podanych przez producenta grzejnika. Stan taki może spowodować zagrożenie dla zdrowia, życia lub mienia. Maksymalne ciśnienie dla grzałki to 10 atm.
- Nie wolno napełniać grzejnika czynnikiem o temperaturze wyższej niż 82°C – grozi to uszkodzeniem zabezpieczenia termicznego. Grzałka posiada zabezpieczenie termiczne jednokrotnego działania (bezpowrotne), które zadziała jeżeli bezpiecznik termiczny umieszczony w rurce przy elemencie grzejnym osiągnie temperaturę powyżej 82°C. Skutkiem tego sterownik grzałki będzie działał, ale grzałka nie będzie grzała – w celu przywrócenia pełnej sprawności urządzenia wymagana jest interwencja wykwalifikowanego serwisu producenta.
- Po stwierdzeniu szczelności możesz podłączyć grzałkę do sieci zasilającej – sprawdź przy tym czy napięcie w domowej instalacji elektrycznej jest zgodne z napięciem na tabliczce znamionowej produktu. Podłączaj grzałkę wyłącznie do gniazda z bolcem ochronnym (obwód PE). Dodatkowo należy sprawdzić czy urządzenie nie jest uszkodzone – dotyczy to zwłaszcza elementów elektrycznych takich jak izolacje przewodów, wtyczki, itp.
- Podłączając urządzenie na stałe do instalacji, stosuj się do wytycznych:
  - Brazowa izolacja przewodu – obwód fazowy (L),
  - Niebieska izolacja przewodu – obwód neutralny (N),
  - Żółto-zielona izolacja przewodu – obwód ochronny (uziemienie) (PE).
- Grzejnik z grzałką w układzie c.o. musi posiadać zawory odcinające na zasilaniu i powrocie w celu ewentualnego demontażu.

## Funkcjonalność (Rysunek 1, 10)

- Ustawienie czasu realizowane jest w przedziałach co 1 godzinę. Wyjątkiem jest ustawienie czasu opóźnienia realizowane w przedziałach co 2 godziny.
- Ustawienie temperatury grzejnika realizowane jest w przedziałach co 10°C.
- Suszarka. Regulacja temperatury czynnika grzewczego za pomocą przycisków „+”, „-”, „0”: 4 poziomy w zakresie 30-60°C.
- Funkcja suszarki w trzech wariantach działania z możliwością zmiany temperatury w czasie rzeczywistym:
  - timer „START/STOP” – po czasie do 4 godzin (1, 2, 3, lub 4h) wyłączenie grzałki,
  - timer „TURBO” – po czasie do 4 godzin (1, 2, 3, lub 4h) powrót do wcześniejszej nastawy,
  - timer „OPÓŹNIONY START” – załączenie grzałki z opóźnieniem do 8 godzin (2, 4, 6 lub 8h) na czas do 4 godzin (1, 2, 3 lub 4h).
- Inteligentna wizualizacja stanów pracy: grzanie, tryb ustawień, timer, awaria – kolorowa technologia LED.
- Możliwość obrotu sterownika o kąt 330°.
- Inteligentna kontrola pracy – sterowanie mikroprocesorowe.
- Zabezpieczenie przed zamrożeniem czynnika – funkcja ANTIFREEZE.
- Dwustopniowe zabezpieczenie termiczne.
  - regulator sterownika nie pozwala na wzrost temperatury powyżej 60°C,
  - bezpiecznik termiczny odłącza zasilanie w momencie niekontrolowanego wzrostu temperatury w przypadku uszkodzenia regulatora lub czujnika temperatury.
- Trzeci stopień zabezpieczenia termicznego przed pracą „na sucho”.
- Niski pobór energii podczas „pracy” dzięki zaawansowanej elektronice oraz podczas „czuwania” dzięki zastosowaniu elektroniki wykonanej w technologii Ultra-Low-Power.

## Obsługa (Rysunek 1, 10)

- Przyciśnięcie klawisza „wł/wył” powoduje włączenie / wyłączenie grzałki.
- Przyciśnięcie klawisza „+” powoduje wejście w tryb ustawień temperatury jaką ma osiągnąć czynniki w grzejniku.

- Przyciśnięcie klawisza „-” powoduje wejście w tryb ustawień temperatury jaką ma osiągnąć czynniki w grzejniku.
- Podczas trwania trybu ustawień temperatury wskaźnik LED sygnalizuje ten stan (patrz punkt 10 poniżej).
- Przyciśnięcie i przytrzymanie przycisku „+” przez ok. 3 sek powoduje włączenie timera „TURBO”. Grzałka zacznie nagrzewać czynniki grzejnika do nastawionej temperatury i utrzyma ją przez nastawiony czas – do 4 godzin (1, 2, 3 lub 4 godziny). Po tym czasie sterownik wróci do ustawień temperatury sprzed włączenia timera.
- Przyciśnięcie i przytrzymanie przycisku „-” przez ok. 3 sek powoduje włączenie timera „OPÓŹNIONY START”. Grzałka włączy się z nastawionym opóźnieniem (do 2, 4, 6 lub 8h) i zacznie nagrzewać czynniki grzejnika do nastawionej temperatury i utrzyma ją przez nastawiony czas – do 4 godzin (1, 2, 3 lub 4h). Po tym czasie sterownik wyłączy grzałkę.
- Przyciśnięcie i przytrzymanie przycisków „-” i „+” przez ok. 3 sek powoduje włączenie timera „OPÓŹNIONY START”. Grzałka włączy się z nastawionym opóźnieniem (do 2, 4, 6 lub 8h) i zacznie nagrzewać czynniki grzejnika do nastawionej temperatury i utrzyma ją przez nastawiony czas – do 4 godzin (1, 2, 3 lub 4h). Po tym czasie sterownik wyłączy grzałkę.
- W trakcie włączonych timerów wyłączenie i włączenie urządzenia przyciskiem S1 powoduje skasowanie nastawy timera. Przerwa w zasilaniu nie powoduje kasowania timerów – po ponownym załączeniu zasilania sterownik dokończy funkcję timera.
- Funkcja ANTIFREEZE. Spadek temperatury czynnika wewnątrz grzejnika poniżej 6 °C powoduje uruchomienie funkcji ANTIFREEZE. UWAGA: funkcja zostaje aktywowana w urządzeniu podłączonym do sieci elektrycznej (bez włączonego sterowania). ANTIFREEZE polega na cyklicznym podgrzewaniu czynnika do temperatury 40°C i przejściu sterowania w stan czuwania. Sterowanie będzie powodowało podgrzewanie czynnika w ww. sposób do momentu, gdy temperatura czynnika nie będzie spadała poniżej temperatury 6°C.  
Aby funkcja ANTIFREEZE działała poprawnie nie wyłączaj wtyczki z gniazda zasilającego.  
Sterowanie grzałki zaprojektowane jest w technologii Ultra-Low-Power co oznacza bardzo niski pobór prądu również w stanie czuwania
- Wizualizacja stanów pracy grzałki

| Stan wskaźnika LED                    | Stan pracy grzałki                                                                                                                                                                                               |
|---------------------------------------|------------------------------------------------------------------------------------------------------------------------------------------------------------------------------------------------------------------|
| L1 – czerwony                         | Stany alarmowe                                                                                                                                                                                                   |
| L1 - fioletowy                        | Prawidłowa praca urządzenia w funkcji suszarki                                                                                                                                                                   |
| L1 - fioletowy migający               | Funkcja ANTIFREEZE                                                                                                                                                                                               |
| L2 - niebieski rozświetlający się     | Grzałka rozgrzewa się do ustawionej temperatury. Dla L2 świecącego światłem ciągłym oznacza osiągnięcie kolejnych poziomów temperatury. Po osiągnięciu nastawionej temperatury LED-y L2 świecą światłem ciągłym. |
| L2 – niebieski przycgasający          | Grzałka stygnie co oznacza, że ustawiona temperatura jest niższa niż aktualna.                                                                                                                                   |
| L1 – czerwony / niebieski na przemian | Problem sterowania z odczytem temperatury z czujnika – stan alarmowy                                                                                                                                             |
| L3 – niebieski ciągły                 | Timer „TURBO” – włączona funkcja suszarki                                                                                                                                                                        |
| L3 – niebieski migający               | Timer „START/STOP” – włączona funkcja suszarki.                                                                                                                                                                  |
| L3 – niebieski pulsujący              | Timer „OPÓŹNIONY START” – włączona funkcja suszarki                                                                                                                                                              |



11. Po wystąpieniu przerwy w zasilaniu (awaria sieci zasilającej lub wyciągnięcie wtyczki zasilającej) pracująca wcześniej grzałka rozpoczyna pracę w stanie sprzed zaniku zasilania.

12. Grzałka przystosowana jest do współpracy ze standardowym timerem czasowym.

## Demontaż grzałki

1. Wyląć grzałkę klawiszem oraz wyjmij wtyczkę z gniazda zasilania sieciowego.
2. W grzejniku elektrycznym – zdemontuj go razem z grzałką, odwróć grzałką do góry. Nie musisz usuwać czynnika grzewczego.
3. W grzejniku podłączonym do instalacji C.O. - zamknij zawory na zasilaniu oraz powrocie. Usuń czynnik grzewczy z grzejnika.
4. Wykręć grzałkę z gniazda grzejnika za pomocą klucza 22. Nie wolno wkręcać / wykręcać grzałki trzymając za obudowę. Grozi to uszkodzeniem urządzenia.

## Konserwacja

Podczas czyszczenia należy odłączyć grzałką od zasilania. Należy również nie dopuścić do zalania sterownika urządzenia.

Do czyszczenia stosować miękkie ściereczki lub gąbki. W żadnym wypadku nie stosować żrących i ściernych środków czyszczących oraz ostrych przedmiotów – uchroni to przed zniszczeniem powłoki dekoracyjnej:

- powierzchnie lakierowane zmywać ciepłą wodą z dodatkiem delikatnych środków czyszczących,
- powierzchnie chromowane czyścić przy pomocy środków do tego przeznaczonych.

## Utylizacja

Po zakończeniu użytkowania nie wolno wyrzucać produktu jako odpadu komunalnego. Urządzenie podlega specjalnym wymaganiom dotyczących gospodarowania odpadami elektrycznymi i elektronicznymi. Oddaj urządzenie do punktu zbiórki i recyklingu urządzeń elektrycznych i elektronicznych. Informacji o właściwym punkcie usuwania zużytych urządzeń udzieli Państwu punkt sprzedaży lub producent.

**Działając zgodnie z zasadami prawidłowej  
utilizacji masz własny wkład w ochronę  
środowiska**

## Warunki gwarancji

1. Przedmiotem gwarancji jest produkt wyprodukowany przez HeatQ Technology Sp. z o.o. opisany w niniejszej instrukcji.
2. Okres gwarancji obejmuje 24 miesiące od daty zakupu, ale nie dłużej niż 36 miesięcy od daty produkcji. Identyfikacja daty produkcji możliwa jest po numerze seryjnym, znajdującym się na tylnej części obudowy.
3. Podstawą do roszczeń gwarancyjnych jest dowód zakupu produktu. Brak tego dowodu upoważnia producenta do odrzucenia reklamacji.
4. Klient odbierając urządzenie przy zakupie potwierdza jego pełnowartościowość. Jeżeli Klient nie zgłosi zastrzeżeń do produktu – w szczególności jakości powierzchni dekoracyjnych obudowy – przyjmuje się, że produkt został wydany bez wad.
5. Instalacja grzewcza musi być wyposażona w zawory odcinające, aby umożliwić demontaż grzejnika/grzałki bez ingerencji w całą instalację c.o. z czynnikiem grzewczym. Producent nie odpowiada za problemy oraz koszty wynikające z błędnie przygotowanej instalacji grzewczej.
6. Gwarancja nie obejmuje uszkodzeń powstałych na skutek nieprawidłowego montażu/demontażu oraz błędnego użytkowania urządzenia. Proszę, zapoznać się z niniejszą instrukcją, która stanowi integralną część gwarancji przed przystąpieniem do użytkowania.
7. Producent ma 14 dni roboczych od daty dostarczenia wadliwego produktu do siedziby producenta na ekspertyzę oraz naprawę wadliwego produktu.
8. W przypadku braku możliwości wykonania naprawy producent zobowiązuje się do dostarczenia nowego produktu o tych samych parametrach.