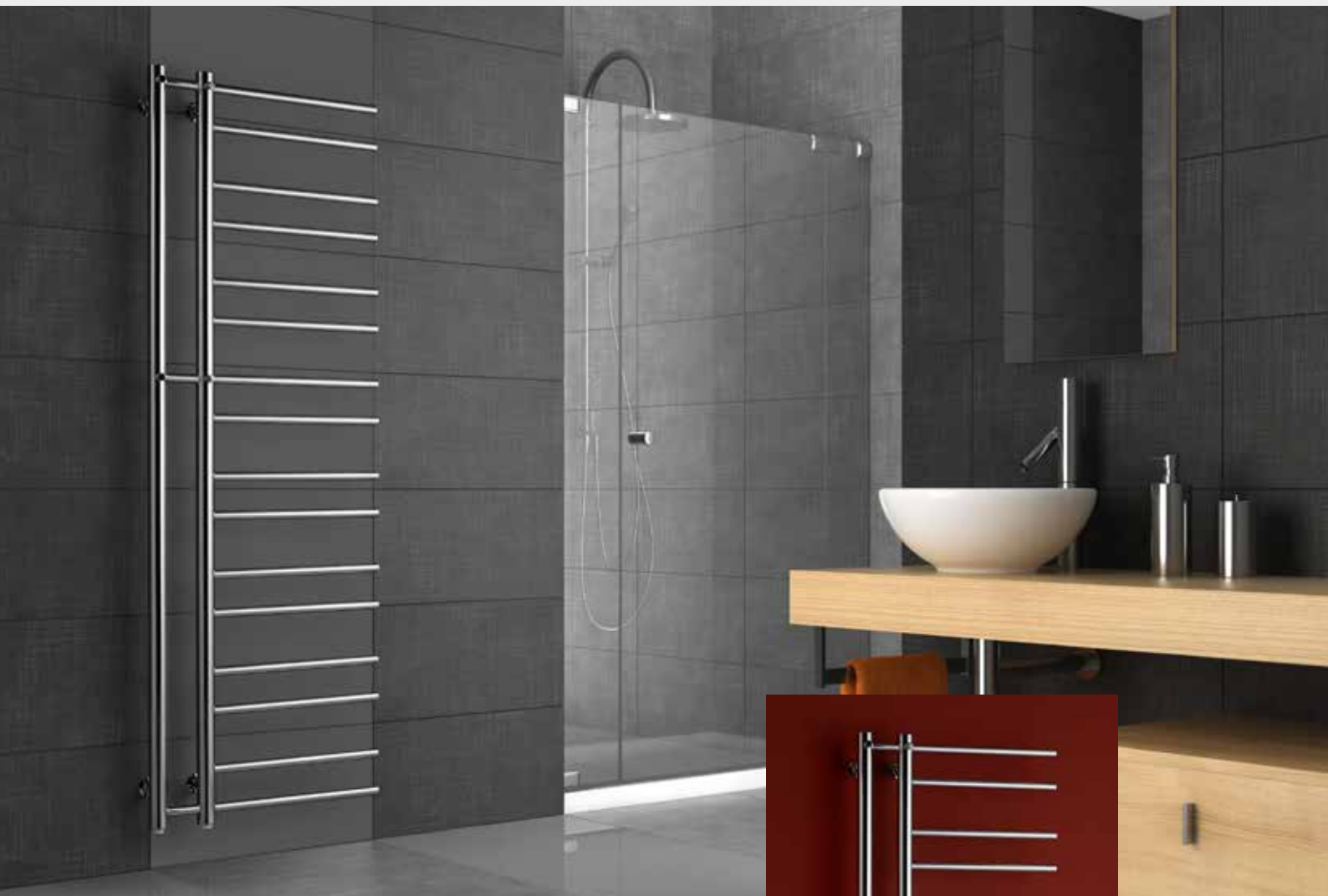


THEIA



Practical hooks for hanging towels and bathrobes



Hidden air valve



THEIA - metallic anthracite
500 × 940 mm



THEIA - chrome finish
500 × 1540 mm

Location of "attachment" to the wall: ↓ 70 mm ↑ 70 mm
Central heating: YES
Combination heating: YES
Electric heating: YES
Pitch: 100 mm

Connection options:



T1A-L

T1A

Connection 50 mm



Central and Combination heating:
 Thermostatic valve ONE

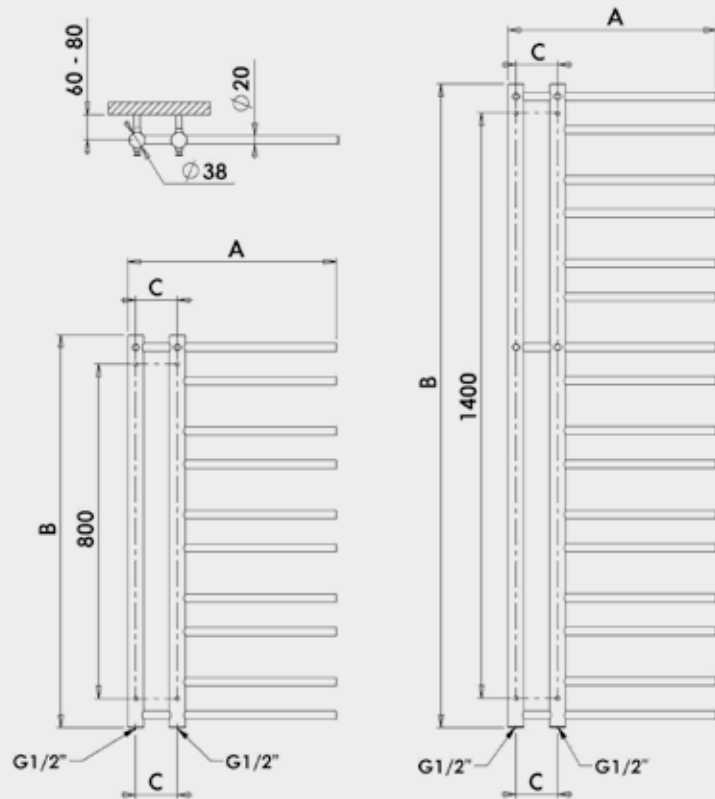
Connection 100 mm



Central heating:
 Valve EASY or thermostatic valve COMBI

Combination heating:
 Thermostatic valve COMBI

(Theia, standard version = COMBI -L,
 Theia, left version = COMBI-R)



Chrome**	White coated	Other surface finish (coated)*	Width (A) x Height (B) [mm]	HO [W] Δt 20°C***		Weight [kg]	Content [l]	Connection span (C) [mm]	Max. recommended electric heating element [W]
				75/65°C	55/45°C				
T1C	T1W	T1	500 × 940	216	112	5,3	2,8	100	200
T2C	T2W	T2	500 × 1540	352	183	8,5	4,2	100	300
T1C-L	T1W-L	T1-L	500 × 940	216	112	5,3	2,8	100	200
T2C-L	T2W-L	T2-L	500 × 1540	352	183	8,5	4,2	100	300

*Other surface finishes see page 78. **Heat output of chrome versions can be 20% lower.

***Calculation of temperature gradients can be viewed on www.pmh-co.cz.