

GALEON



GALEON - chrome
500 × 1280 mm



GALEON - brushed stainless steel
500 × 1280 mm



GALEON - white coated (structural colour)
with angle valve CUBE, 600 × 792 mm

Location of "attachment" to the wall: ↓ 91 mm ↑ 91 mm

Central heating: YES

Combination heating: YES

Electric heating: YES

Horizontal profile: 15 × 30 mm

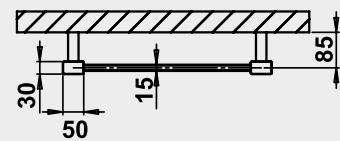
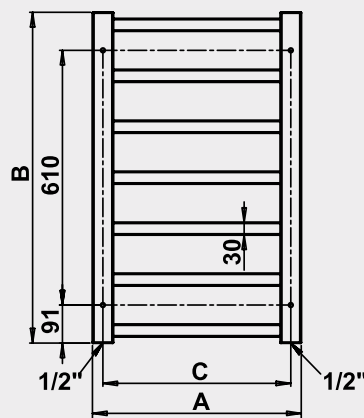
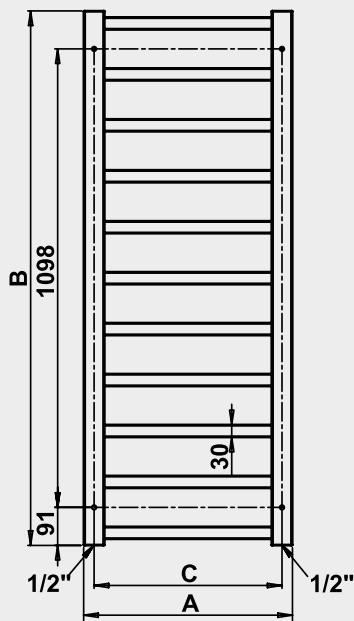
Vertical profile: 30 × 50 mm

Connection options:



C/C

one side



Chrome**	Brushed stainless	White coated	Other surface finish (coated)*	Width (A) x Height (B) [mm]	HO [W] Δt 20°C***		Weight [kg]	Content [l]	Connection span (C) [mm]	Max. recommended electric heating element [W]
					75/65°C	55/45°C				
G1C	G1SS	G1W	G1	500 × 792	260	135	6,5	2,9	450	200
G2C	G2SS	G2W	G2	600 × 792	340	177	7,1	3,1	550	300
G3C	G3SS	G3W	G3	500 × 1280	390	203	9,3	4,7	450	300
G4C	G4SS	G4W	G4	600 × 1280	490	255	10,7	5,0	550	300

*Other surface finishes see page 78. **Heat output of chrome versions can be 20% lower.

***Calculation of temperature gradients can be viewed on www.pmh-co.cz.