

DANBY



DANBY - chrome
600 × 1640 mm



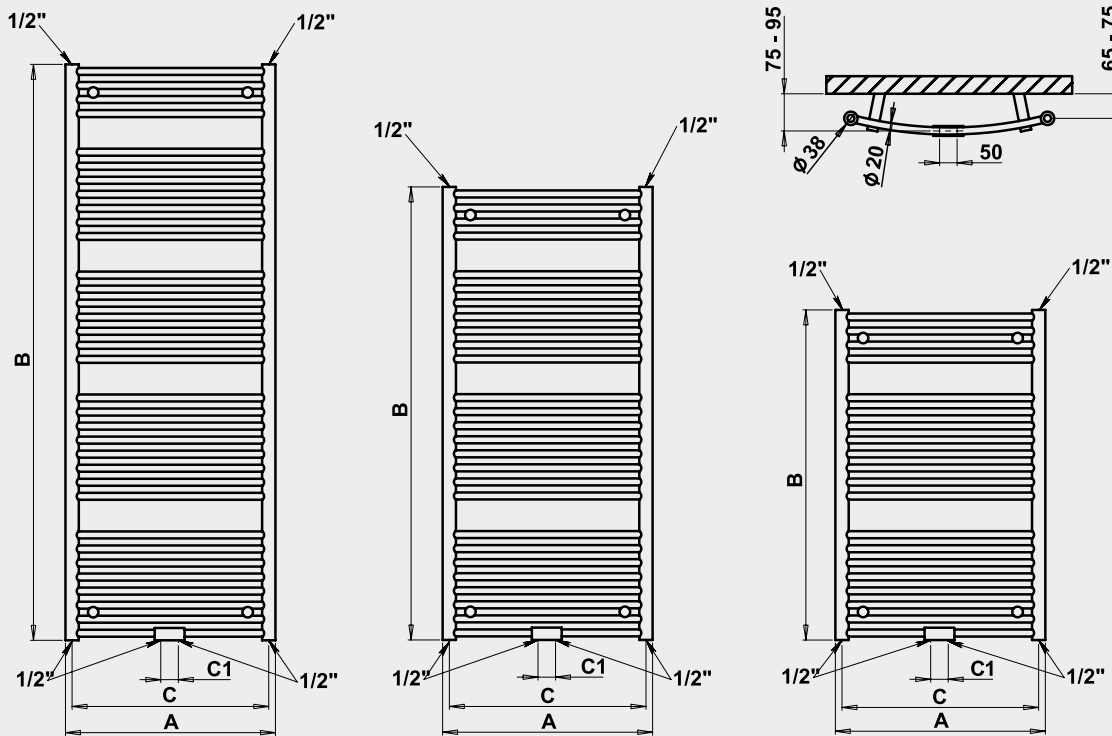
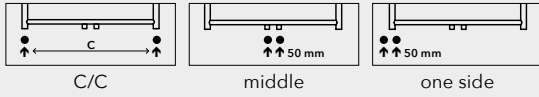
Hanger Robe-Hook



DANBY - chrome
600 × 1290 mm

Central heating: YES
 Combination heating: YES
 Electric heating: YES

Connection options:



Chrome**	Brushed stainless	White coated	Other surface finish (coated)*	Width (A) x Height (B) [mm]	HO [W] Δt 20°C***		Weight [kg]	Content [l]	Connection span (C/C1) [mm]	Max. recommended electric heating element [W]
					75/65°C	55/45°C				
D1C	D1SS	D1W	D1	450 × 940	412	214	8,3	4,5	415/50	300
D2C	D2SS	D2W	D2	600 × 940	528	275	10,1	5,5	560/50	400
D3C	D3SS	D3W	D3	750 × 940	642	334	11,7	6,4	712/50	400
D4C	D4SS	D4W	D4	450 × 1290	559	291	11,2	6,1	415/50	400
D5C	D5SS	D5W	D5	600 × 1290	716	372	13,5	7,4	560/50	500
D6C	D6SS	D6W	D6	750 × 1290	870	452	15,4	8,8	712/50	600
D7C	D7SS	D7W	D7	450 × 1640	702	365	13,7	7,8	415/50	400
D8C	D8SS	D8W	D8	600 × 1640	898	467	16,5	9,4	560/50	600
D9C	D9SS	D9W	D9	750 × 1640	1081	562	19,4	11,0	712/50	700

*Other surface finishes see page 78. **Heat output of chrome versions can be 20% lower.

***Calculation of temperature gradients can be viewed on www.pmh-co.cz.